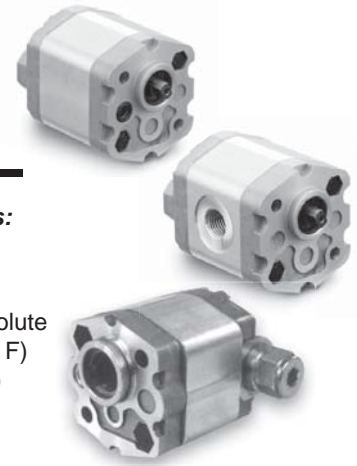




FLUID COMPONENTS, INC.

# Hydraulic Gear Pump Model GP-F0

Available by Special Order Only



Model GP-F0 is an all aluminium construction, high pressure mini hydraulic gear pump with 12 displacement sizes from 0.009 - 0.120 in<sup>3</sup>/rev. (0.16 - 2.00 cm<sup>3</sup>/rev). The standard mounting flange is as detailed on the installation drawing and porting is any combination of rear, front or side as defined in the Ordering Example.

### Recommended working conditions:

FILTRATION: 25 micron or better  
 OIL VISCOSITY: 7 - 700 cSt  
 INLET PRESSURE: 12 - 32 psi absolute  
 OIL TEMP: -25° - 80° C (-12° - 175° F)  
 AMBIENT -22° - 55° C (-8° - 130° F)

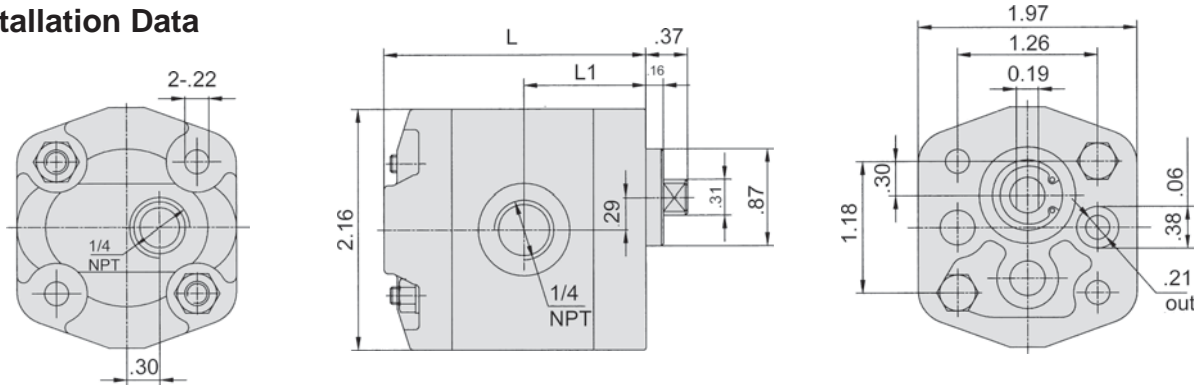
## Technical Specifications

Model	Displacement		Pressure		Speed rpm		Weight	Model	Displacement		Pressure		Speed rpm		Weight
	in <sup>3</sup> (cm <sup>3</sup> ) / rev		Rated	Max	Rated	Max	Lbs.		in <sup>3</sup> (cm <sup>3</sup> ) / rev		Rated	Max	Rated	Max	Lbs.
GP-F0-016	0.009 (0.16)		2750	3335	2000	7000	0.82	GP-F0-084*	0.051 (0.84)		2750	3335	2000	6000	0.91
GP-F0-025	0.015 (0.25)		2750	3335	2000	7000	0.84	GP-F0-100	0.060 (1.00)		2750	3335	2000	6000	0.92
GP-F0-038	0.023 (0.38)		2750	3335	2000	7000	0.85	GP-F0-125	0.080 (1.25)		2750	3335	2000	5000	1.00
GP-F0-050	0.030 (0.50)		2750	3335	2000	7000	0.87	GP-F0-150	0.090 (1.50)		2750	3335	2000	4000	1.04
GP-F0-070*	0.043 (0.70)		2750	3335	2000	7000	0.90	GP-F0-175	0.110 (1.75)		2750	3335	2000	4000	1.08
GP-F0-075	0.045 (0.75)		2750	3335	2000	7000	0.91	GP-F0-200	0.120 (2.00)		2750	3335	2000	3500	1.13

Flow Rate (gpm) = Displacement (in<sup>3</sup>/rev) X Speed (rpm) / 231

Volumetric efficiency % ≥93

## Installation Data



Model	L	L1
GP-F0-016	2.40"	1.20"
GP-F0-025	2.44"	1.22"
GP-F0-038	2.46"	1.23"
GP-F0-050	2.48"	1.23"

Model	L	L1
GP-F0-070	2.56"	1.28"
GP-F0-075	2.59"	1.30"
GP-F0-084	2.63"	1.31"
GP-F0-100	2.67"	1.34"

Model	L	L1
GP-F0-125	2.79"	1.40"
GP-F0-150	2.87"	1.44"
GP-F0-175	2.95"	1.48"
GP-F0-200	3.03"	1.51"

**Ordering Example:** **GP** - **F0** - **016** - **T** - **C** - **□**

Category	Series	Displacement (cm <sup>3</sup> /rev)	Drive Shaft	Rotation	Options
Gear Pump	F0 Series	016/025/038/050/ 070/075/084/100/ 125/150/175/200	T = Flat Tang	C = Clockwise A = Counter-Clockwise (viewed from shaft end)	Omit = Standard (front & back) 1 = 1/4" NPT Side Ports 3 = Free running (reduced efficiency)

GAUGES & ACCESSORIES

HYDRAULIC PUMPS

HYDRAULIC MOTORS

APPENDIX